

**“The promotion that changed an industry...its good today...and it’ll still be good tommorrow”**

Some thoughts about Glow Bowling

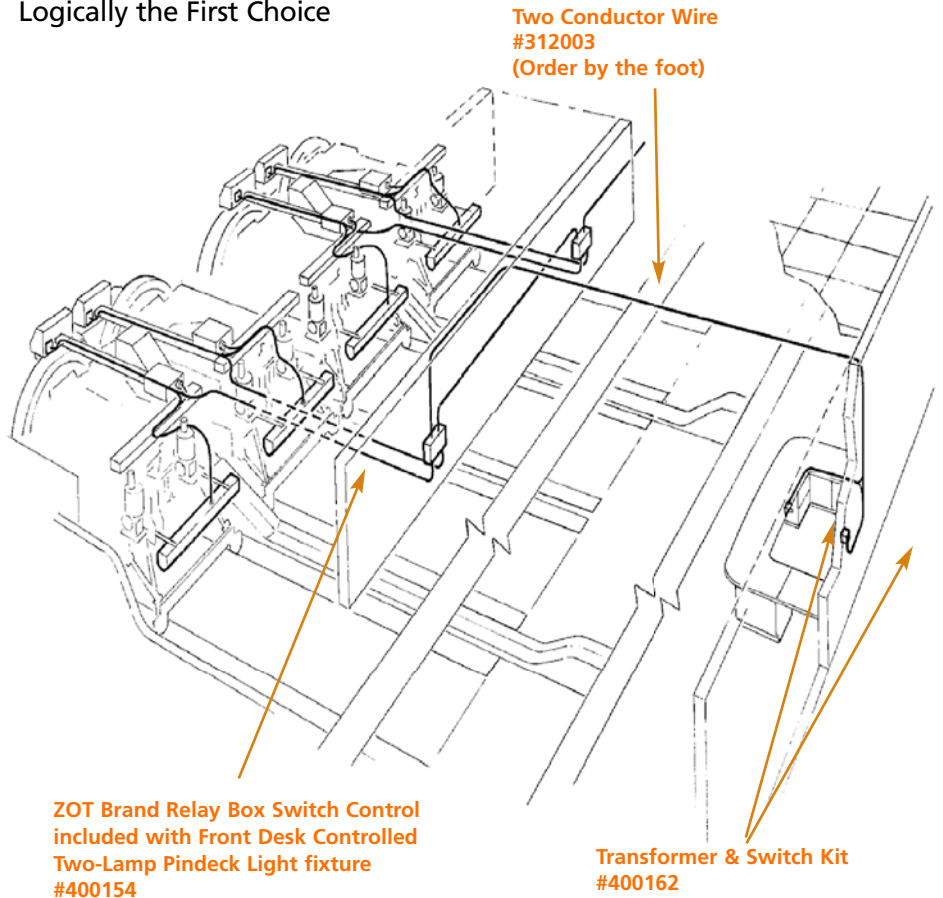
Recreation centers – centers that have the flexibility to provide an environment for both entertainment and sport bowling – are centers that make the most money and the highest profits for proprietors today.

And, there’s no better place to start introducing Glow Bowling than at the pindeck...by adding ZOT Glow Pindeck Light or GlowVision fixtures. Some proprietors have done it the other way around, added Glow lighting to everything in their center...except the pindeck.

“Those proprietors have missed the point.” Whether we’re talking about Sport or Recreation bowling, the game’s about pins...and trying to knock them down. And, if the pins don’t “Glow” you’re really not in the Glow Bowling business.

Adding ZOT Glow Pindeck or GlowVision Lights is also the quickest and least expensive way to get started in the Glow bowling business. Combine a Glow Pindeck with a good promotion plan, and your customers and your business will both profit from the Glow Bowling Experience.

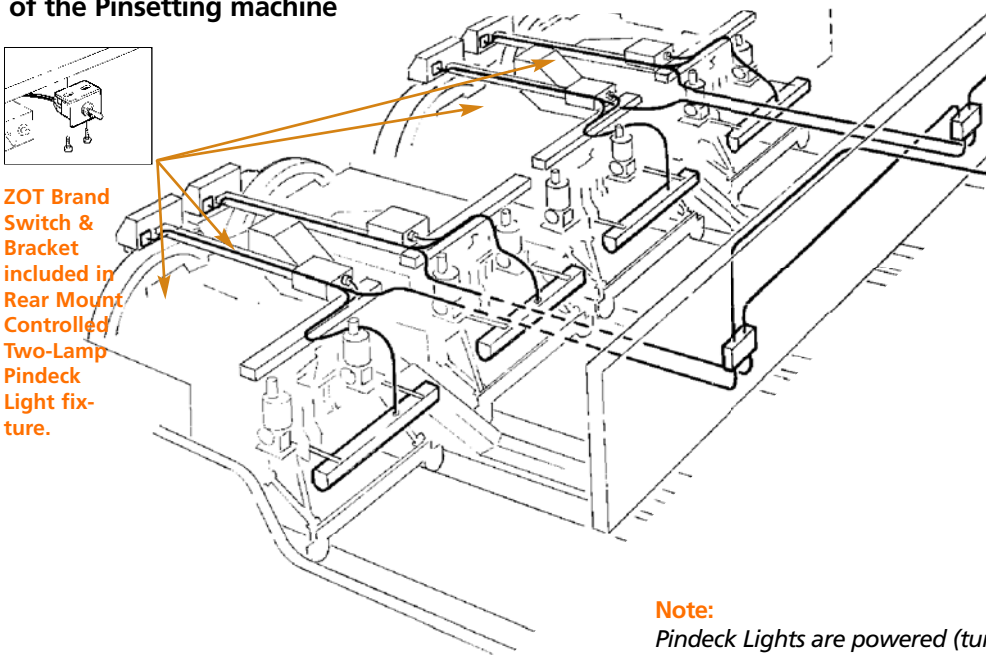
**Control up to 24-lanes with One Switch with ZOT’s Front Desk Switch Control Logically the First Choice**



**2**  
Glow Bowling Products

**Take Control of Your Fixtures**

**Control Each Lane Individually with ZOT’s Switch Control on the Rear of the Pinsetting machine**



When ZOT researched and developed its Glow Pindeck Light system it was obvious that proprietors were looking for options that are the best fit for their individual center needs. For example, switch control\* options that enable switching from white (sport bowling) to ultra-violet (recreation bowling) light from the front desk, or the rear of the pinsetting machine. Both are better options than other brands offered that has the switch control on the fixture...which requires the mechanic to walk across the lanes to access the switch...and, in full view of your customers. For more details on ZOT GlowVision and Two-Lamp Glow Pindeck light systems contact your ZOT Distributor, or call ZOT directly at 1-800-525-8116.

**Note:**  
Pindeck Lights are powered (turned on and off) by the Pinsetter. Pindeck Light Switch Controls change the lights from White to Black (Glow) and vice versa...they do not turn the Pindeck lights on or off.



Call ZOT at 1-800-525-8116 for more details

# ZOT Two-Lamp Glow Pindeck Light Fixture

"An opportunity that's too good to miss! ZOT's Two-Lamp Glow Pindeck Light costs less than replacing an original AMF Dual Pindeck Lamp"

## Front Desk Switching Option (See page 12 for control)

#420336 (115/230V/50/60Hz)

**\*MUST ORDER IN PAIRS\***

For all Domestic (US) applications, and some overseas markets, as appropriate.

#420355 (230V/50Hz)

**\*MUST ORDER IN PAIRS\***

For some overseas markets, as appropriate.

This option enables switching from White to Black Light on all lanes in unison from the Front Desk.

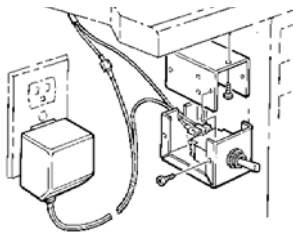
**Note:**

For every two units you order of either of the above part numbers ZOT automatically includes one Relay Box Switch Control and 14' of connecting wire for every two units.

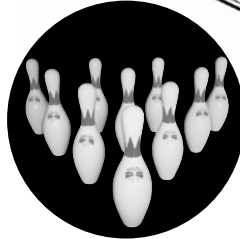
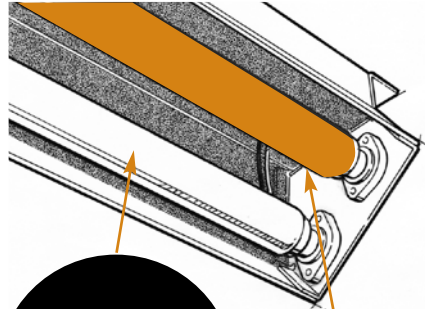
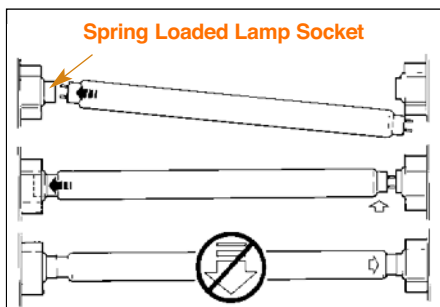


When you order either of the above part numbers you will also require:

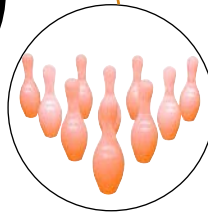
- A. One length run of wire #312003 12ft. for up to 24-lanes to extend from Curtain wall to Front Desk (order by the foot).
- B. One each #400162 Transformer & Switch Kit (serves up to 24-lanes).



Transformer & Switch Kit  
(Order Separately)



One lamp for Sport Bowling



One lamp for Recreation Bowling

All it takes is a flip of a switch to convert your center from a Sport to Recreation center...and it starts with ZOT Two-Lamp Glow Pindeck Lights

## Rear of Pinsetter Switching Option (See page 12 for control)

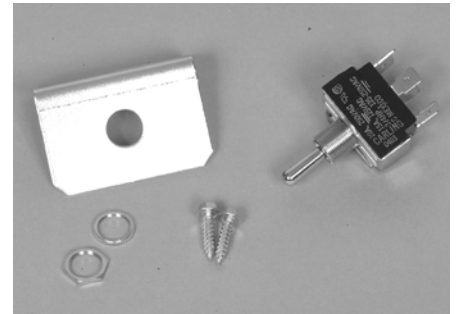
#420334 (115/230V/50/60Hz)

For all Domestic (US) applications, and some overseas markets, as appropriate.

#420340 (230V/50Hz)

**DISCONTINUED**  
For some overseas markets, as appropriate.

This option enables easy switching from White to Black light lane by lane from the rear of the pinsetter. Each unit comes complete with a Toggle Switch and mounting bracket.



## Features and Benefits:

**Welded Steel Construction:** ZOT's Two Lamp Glow Pindeck light fixtures are built with 20-gauge steel and will withstand years of excessive vibration in the pindeck area.

**Spring Loaded Lamp Sockets:** ZOT includes Industrial Style Spring Loaded lamp sockets designed to extend lamp life and prevent lamps from shaking loose and shattering on the pindeck. (see illustration)

**High Power Ballast:** Each ZOT fixture includes Two High-Power Ballast's that yield reliable service and a wide range of power supply.

**Compatibility:** The ZOT Ballast's are compatible with the original AMF lamps, enabling reuse of lamps you already have. And the mounting holes on the ZOT fixture are of the same dimensions as the original AMF 82-70 Single lamp fixture.

**Switching Options Suit Your Needs:** ZOT offers the option of switching from Sport to Recreation (Glow) Bowling from the Front to Desk or the Rear of the Pinsetter.

**Light Reflective Finish:** ZOT's Unique formula Ultra-White finish reflects a high degree of Ultra-Violet light onto the pindeck.

ZOT's Two-Lamp Glow Pindeck light fixtures are recommended for centers with the following scoring systems

- AMF MagicScore
- AMF AccuScore\*\*
- AMF AccuScore Plus\*
- AMF Boss Scoring
- Brunswick AS 80
- Other Brands\*

\*\*FrameWorx with VPS Cameras and many other current model scoring systems available from independents, including: Qubica, Steltronic & Twelve-Strike.

\*May require camera software upgrade - call ZOT for details.

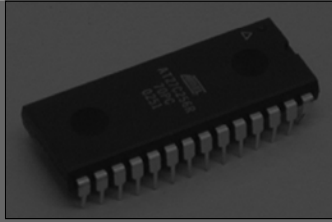
## Light Sensitive Processors for AMF Scoring

### AccuCam I Processors

#400235

This processor chip has been designed to give the camera the ability to read pins under both White Light and Black Light.

This current software development helps eliminate miscount of pins under all light conditions.



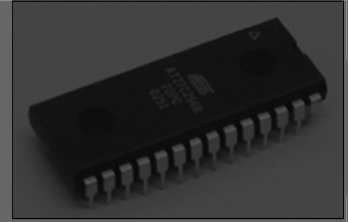
### AccuCam II Processors

#400236

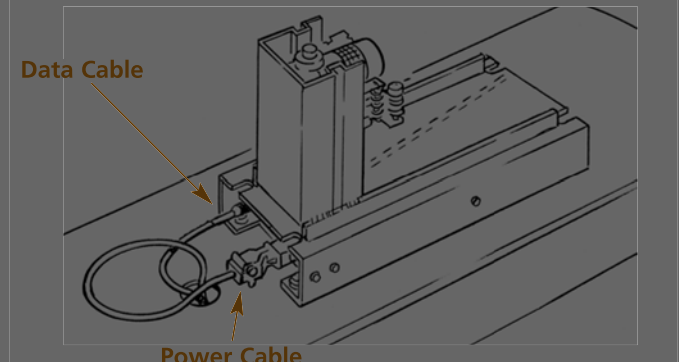
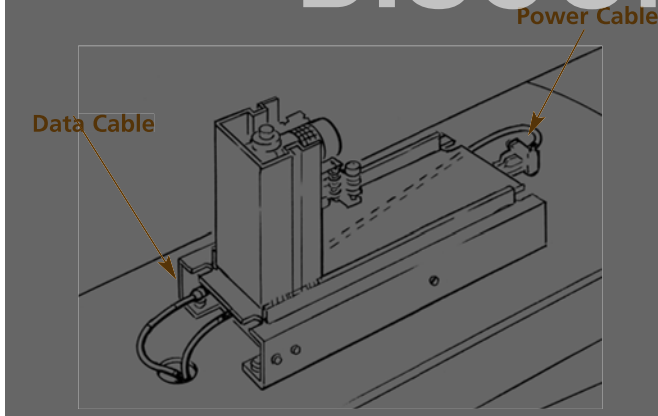
AccuScore Plus XL Processors

#400257

This processor chip has been designed to give the camera the ability to read pins under both White Light and Black Light. This current software development helps eliminate miscount of pins under all light conditions.



DISCONTINUED



2  
Glow Bowling Products

## Upgrades for ZOT Dual Pindeck Lamp Fixtures

The two kits listed below are used to convert switching ZOT Two-Lamp Glow Pindeck Lights from the rear of the machine to the location of your choice (e.g., the Front Desk)

### Features and Benefits:

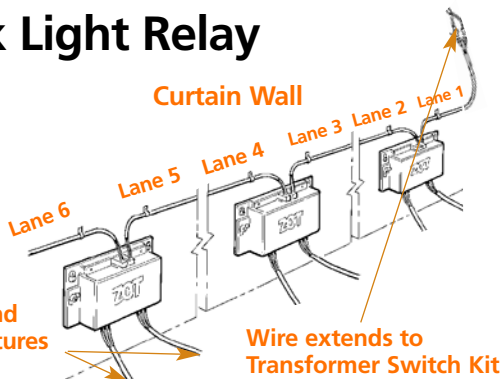
**Replaces** toggle switch at rear of Pinspotter with relay controller.

**Enables** switching from White to Black (Glow) light to be managed from the Front Desk, Mechanics Tool Room or any other remote location as needed

**Enables** switching from White to Black (Glow) Light on up to 24-lanes in unison.

### Pindeck Light Relay Control

#400154



**Notes:**

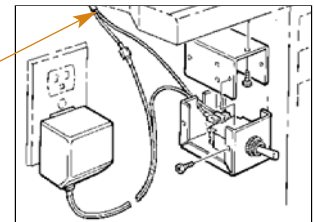
One Relay Controller operates a pair of lanes  
Requires one Two-Conductor Wire runs per 24-lanes (not included) to connect Front Desk Transformer & Switch Kit to Relay Control at Curtain Wall. Order #312003 (order by the foot)

Requires #400162 to operate

### Transformer & Switch Kit

#400162 (115V/60Hz)

Wires extend to Relay Control



#400212 (230V/50Hz)

Transformer: Plugs into wall outlet and supplies power to the Relay Controller

**Notes:**

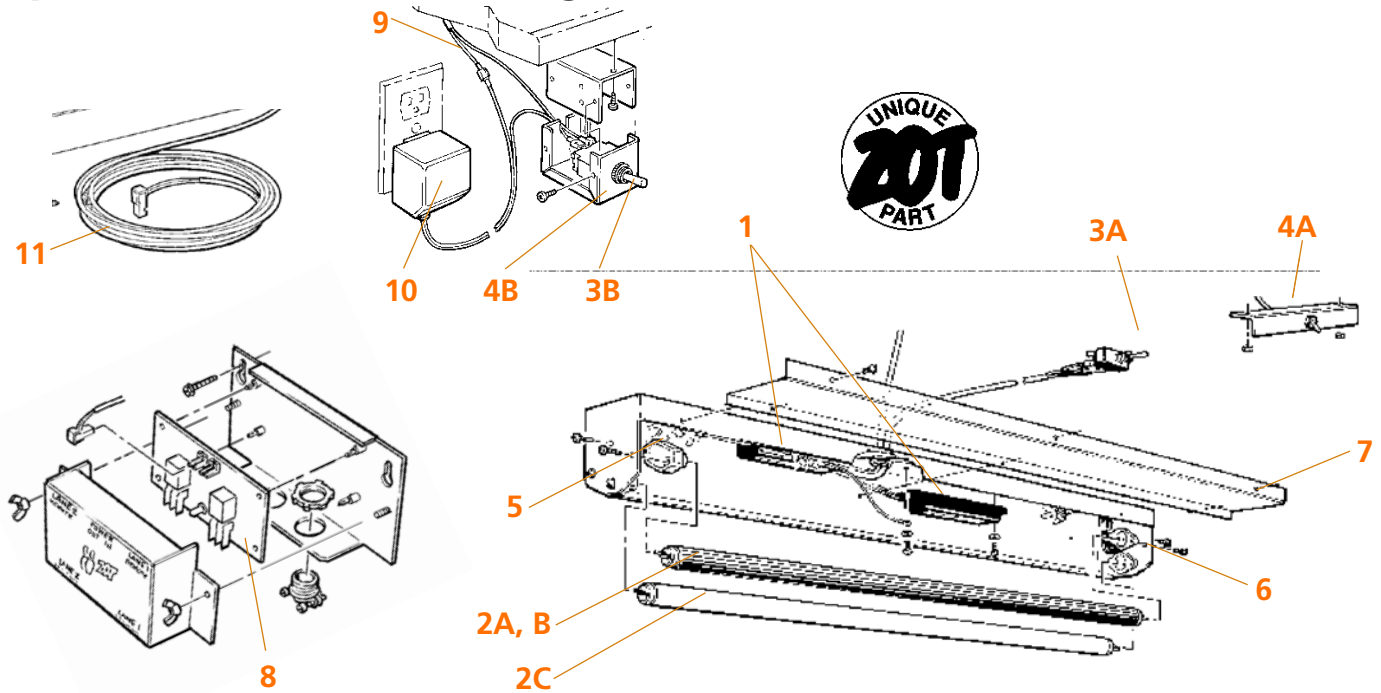
One transformer and switch kit can operate up to 24-lanes  
Some overseas applications may require a different transformer to those listed. If the transformer is being sourced locally, to purchase the Switch and Mounting Box only, order: #400163



Call ZOT at 1-800-525-8116 for more details



# Spare Parts for Pindeck Lights



**Note:** To order individual parts refer to parts grid shown below

Item	ZOT #	Description	Item	ZOT #	Description
1	290015	Single Lamp Ballast (115Volt / 60Hz) (5-wire multi purpose 30 Watt)	4B	400161	Switch Bracket (Front Desk Control)
2A	240010	"36" Lamp F30 T8 BLB (Black Light Blue)"	5	330029	Spring Loaded Lamp Socket (ZOT)
2B	240015	"36" Lamp F30 T8 BL (Black Light)"	6	330030	Stationary Lamp Socket (ZOT)
2C	240012	"36" Lamp F30 T8 D (Day Light)"	7	620159	ZOT Ballast Cover
3A	300023	Toggle Switch (SPDT) (Rear Machine Control)	8	431049	PC Board Only (ZOT Relay Controller)
3B	300026	Toggle Switch (DPDT) (Front Desk Control)	9	312003	Wire 2 Conductor 18 Gauge (Order by the foot)
4A	620160	Switch Bracket (Rear Machine Control)	10	400160	Transformer (Front Desk Control)
			11	440058	Wire Harness 2 Conductor 14ft. (Relay Controller)

Call ZOT for pricing

## Flat Gutter Anchor

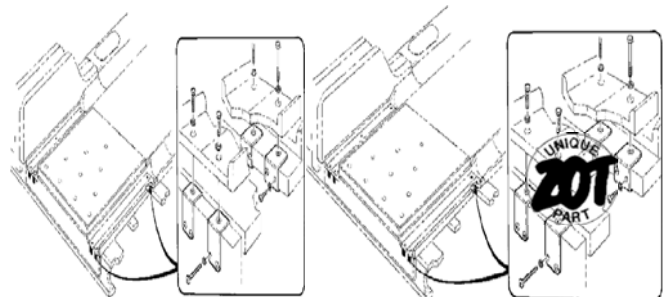
**#420343** Complete One-Lane Kit  
 (Includes hold down screws and 4-Threaded Steel Flat Gutter Anchors for tail-plank end, & 4 Anchors for cross foundation to secure 2 x Flat Gutters)



**#420361**  
 Individual Anchors,  
 Tail Plank End



**#420362**  
 Individual Anchors,  
 Cross Foundation



2/3  
 Glow Bowling &  
 Unique Parts